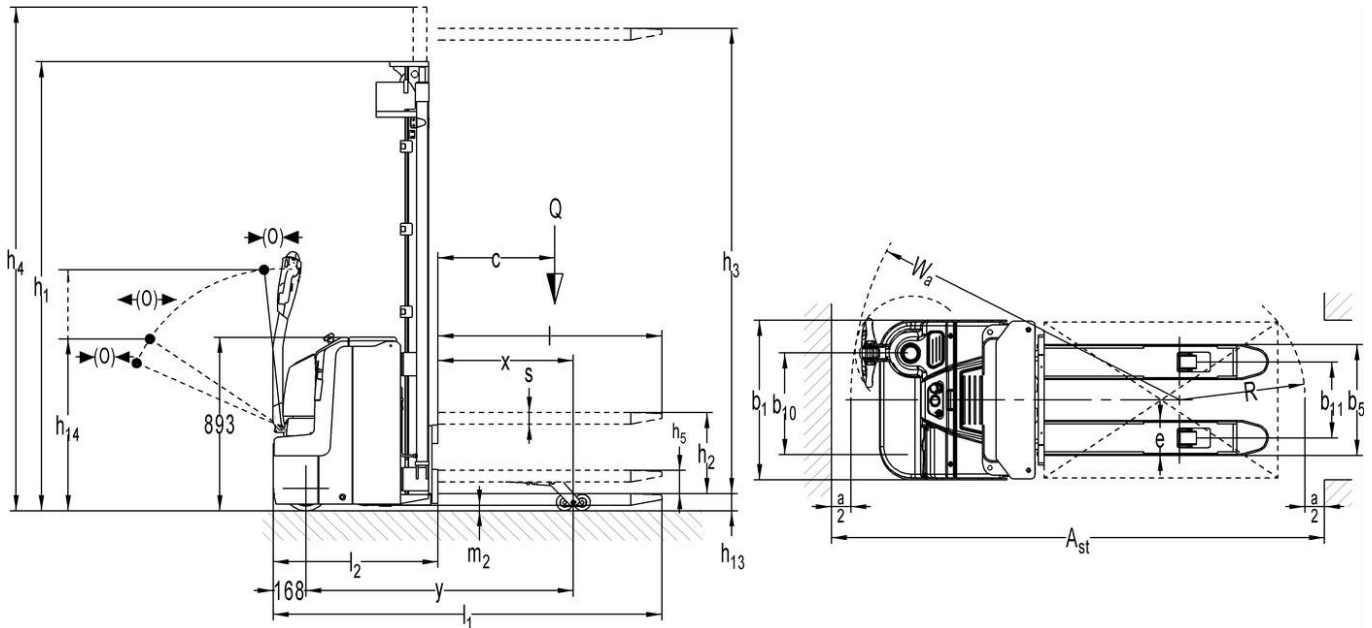


PS 12DL / PS 16DL



Type Sheet for Industrial Truck acc. to VDI 2198

			PS 12DL	PS 16DL	
Distinguishing mark	1.2	Manufacturer`s type designation	3600	4600FFL	
	1.3	Power (battery ,diesel, petrol, gas, manual)	Battery		
	1.4	Operator type	Pedestrian		
	1.5	Load Capacity / rated load	1.2	1.6	
		Load Capacity / rated load (mast lift)	1.2	1.6	
		Load Capacity / rated load (support arm lift)	2.0	2.0	
	1.6	Load centre distance	C(mm)	600	
1.8	Load distance, centre of drive axle to fork	x(mm)	695 ¹⁾		
1.9	Wheelbase	y(mm)	1374 ¹⁾	1417 ¹⁾	
Weight	2.1	Service weight	Kg	1070	1380
	2.2	Axle loading, laden front/rear	Kg	870/2200	1130/2250
	2.3	Axle loading, unladen front/rear	Kg	730/340	945/435
Tires, chassis	3.1	Tires	Polyurethane (PU)		
	3.2	Tire size, front	ØxW (mm)	Ø230×70	
	3.3	Tire size, rear	ØxW (mm)	Ø84×70	
	3.4	Additional wheels (dimensions)	ØxW (mm)	Ø150x54	
	3.5	Wheels, number front/rear (x=driven wheels)		1x+1/4	

	3.6	Tread, front	b ₁₀ (mm)	522	
	3.7	Tread, rear	b ₁₁ (mm)	390/505	
Dimensions	4.2	Lowered mast height	h ₁ (mm)	2308	2108
	4.3	Free lift height	h ₂ (mm)	-	1520
	4.4	Lift	h ₃ (mm)	3530	4530
	4.5	Extended mast height	h ₄ (mm)	4080	5080
	4.6	Initial lift	h ₅ (mm)	120	
	4.9	Height of tiller in drive position min./ max.	h ₁₄ (mm)	850/1385	
	4.15	Lowered mast height	h ₁₃ (mm)	90	
	4.19	Overall length	l ₁ (mm)	1998	2042
	4.20	Length to face of forks	l ₂ (mm)	848	892
	4.21	Overall width	b ₁ (mm)	820	
	4.22	Fork dimensions	s/e/l(mm)	60/180/1150	
	4.25	Distance between fork- arms	b ₅ (mm)	570/685	
	4.32	Ground clearance, centre of wheelbase	m ₂ (mm)	28	
	4.33	Aisle width for pallets 1000X1200 lengthways	A _{st} (mm)	2540	2584
4.34	Aisle width for pallets 800X1200 lengthways	A _{st} (mm)	2512	2555	
4.35	Turning radius	W _a (mm)	1667 ¹⁾	1711 ¹⁾	
Performance data	5.1	Travel speed, laden/unladen	km/h	5.5/6.0	
	5.2	Lift speed, laden/ unladen	m/s	0.09/0.14	0.13/0.20
	5.3	Lowering speed, laden/ unladen	m/s	0.17/0.16*	0.17/0.16*
	5.8	Max. gradeability performance, laden/ unladen	%	6/12	
	5.10	Service brake		Electromagnetic	
Electric- engine	6.1	Drive motor power S2 60min	kw	1.7	
	6.2	Lift motor power S3 10%	kw	1.5	3.2
	6.3	Battery, DIN 43531/35/36 A, B, C, no		2VBS	3VBS
	6.4	Battery voltage, nominal capacity K5	V/Ah	24/180	24/270
	6.5	Battery weight	kg	175	230
	6.6	Energy consumption acc. to VDI cycle	kWh/h	1.00	0.96
tiona	8.1	Type of drive control		AC- speed control	
	8.4	Sound level at driver's ear according to EN 12053	dB(A)	<70	

*lowering speed in the mast lift, in freelif: 0,06/ 0,04 m/s

Double loading: Mast lifting capacity <= total lifting capacity

1) support arm lowered: +72mm

Mast versions

Designation	Lowered mast height h1(mm)	Free Lift height h2(mm)	Lift height h3(mm)	Extended mast height h4(mm)	Lift+ fork height h3+h13(mm)
PS 12DL					
Two stage mast	1958	—	2830	3380	2920
	2108	—	3130	3680	3220
	2308	—	3530	4080	3620
Two stage mast FFL (Full-Free-Lift)	1958	1410	2830	3380	2920
	2108	1560	3130	3680	3220
	2308	1760	3530	4080	3620
PS 16DL					
Two stage mast	1958	—	2830	3380	2920
	2108	—	3130	3680	3220
	2308	—	3530	4080	3620
Two stage mast FFL (Full-Free-Lift)	1958	1410	2830	3380	2920
	2108	1560	3130	3680	3220
	2308	1760	3530	4080	3620
Three stage mast	2008	—	4230	4780	4320
	2108	—	4530	5080	4620
Three stage mast FFL (Full-Free-Lift)	1708	1120	3330	3880	3420
	1908	1320	3930	4480	4020
	2008	1420	4230	4780	4320
	2108	1520	4530	5080	4620