

NEW Noblelift Products
ARRIVAL



NOBLELIFT

Material Handling

EDGE

Powered Pallet Truck



NOBLELIFT INTELLIGENT EQUIPMENT CO., LTD

www.noblelift.com

INTRODUCTION

The new model of electric pallet truck developed by Noblift is the innovative product with cutting-edge design based on decades of our experience, it combines the advantages of manual and electric pallet trucks being the perfect electrical product for light and medium duty material transportation in most effortless and economic way.

With its new and fresh outer appearance containing sharp lines, we named it **"EDGE"**.



Smart design

Robustness

Safety

Ergonomics

High performance

Maintenance friendly

Ergonomic & Smart Tiller Design

The tiller of the truck with ergonomic design has comfortable soft grips for comfort daily operation. All buttons are big and can be easily reached by operators even in case of working in gloves.

Integrated PIN code panel with LCD display for smart control and operation.



The tiller of the truck is supported by the **air spring** and the tiller returns to its vertical position smoothly.

Speed reduction at different angles as well as function of active tiller in its up-right position.



The function of driving with tiller in the **vertical position** helps with work in confined areas, especially in elevators and lorries without sacrificing of safety.



The frame of truck is surrounded by stamped steel elements making the truck looking different and also ensuring the **protection** of components



Forks of the truck with shape for easy entrance and exit from pallets. Full length double sided C-shape **reinforcements** of forks significantly increase strength and **rigidity** of frame.



Strong steel apron **protects** the operator's feet during work and secures the truck's components from collisions with objects.



Robust & Smart Design of Chassis

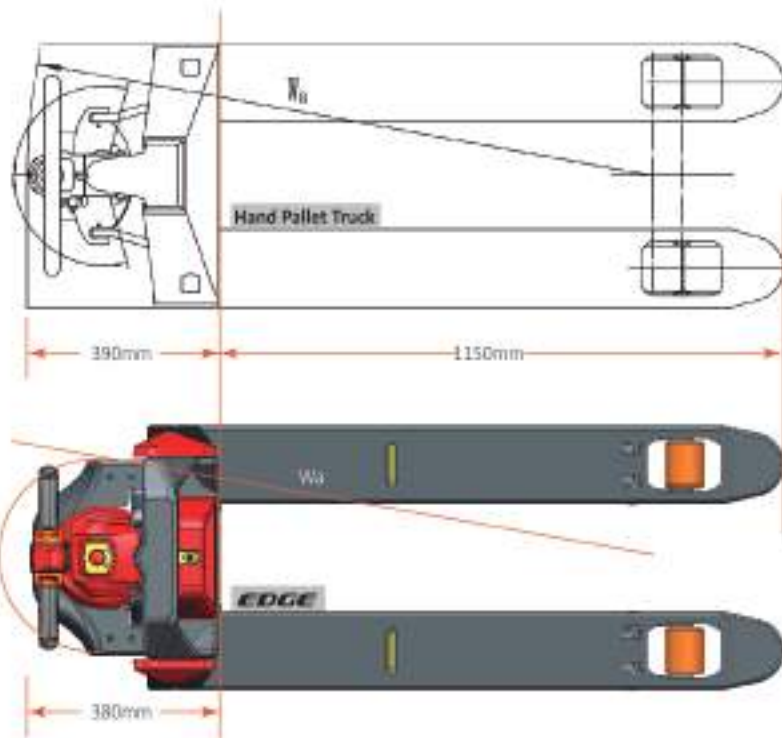
Strong and compact structure of chassis helps to ensure long life-time of the truck, without sacrificing the truck's weight or putting under question the strength of frame.

Capacity up to **1500 kg** and ability to overcome ramps up to **4/16%** (laden/ unladen) makes the truck suitable for work in loading docks and on delivery operations in different conditions



3kg

The minimized service weight of only **123 kg** makes the truck ideal to be used for delivery lorries with tail lifts platforms for goods distributions without sacrificing the transported weight.



The short body length of truck (L2=380 mm) is even smaller than the one of regular HPTs. It provides the shortest **turning radius** of **1274/1330 mm** with lifted/lowered forks and makes the truck extremely compact and ideal for use in confined spaces of retail stores, elevators or business centers.

Smart Lithium Battery



Light weight high quality Lithium battery for **easy replacement**.



Optional different battery capacities from 20Ah to 36Ah for various applications

Socket on battery case for easy battery charging without necessity to take the battery out

Fast and opportunity charging during brakes in operations increases working time.



3-6 hours working time



Smart battery positioning and lock for great fixation and safety.



Maintenance Friendly

Convenient and fast access to any component of the truck, no elements are located in areas difficult to reach. No special tools are required.

There are no hoses or pipes used in the hydraulic lifting circuit which significantly improves **reliability** and reduces the amount of potential problems related to leakages through connectors or their seals.

CAN-bus



CURTIS

The truck is equipped with **Curtis** controller and **CAN-bus** technology makes the diagnostic and troubleshooting easier.

Amount of working hours shown at the tiler helps to follow the maintenance schedule.

Various Options



Optional tandem fork rollers



Optional different fork sizes



Additional supporting wheels.



Official website



Our Wechat

Noblelift Headquarters

Add: #528 Changzhou Road, Taihu
Sub-district, Changxing, 313100, China
TEL: +86 572 6210311 / 6120989
FAX: +86 572 6210777
WEB: www.noblelift.com
Email: info@noblelift.com

Noblelift North America Corp.

Add: 2401 S. Wolf Road, Oak Plains, IL 60018
Tel: 847-595-7109
Fax: 847-595-7200
Email: sales@nobleliftna.com
Http: www.nobleliftna.com

Noblelift Europe GmbH

Add: Borsigstrasse 50, 93092 Bamberg
Germany
TEL: +49 9401 607930
FAX: +49 9401 6079329
WEB: www.noblelift-europe.com
Email: mail@noblelift-europe.com

Noblelift Russia

ООО "Ноблелифт Рус"
194292, Санкт-Петербург
Достройительная ул. 4А, офис 301
Бизнес-центр "Варнас"
тел.: +7 (800) 700-28-97
Email: sales@noblelift.com.ru

