

**NEW** / Noblelift Products  
**ARRIVAL**

Smart Design

Robustness

Safety

Ergonomics

High Performance

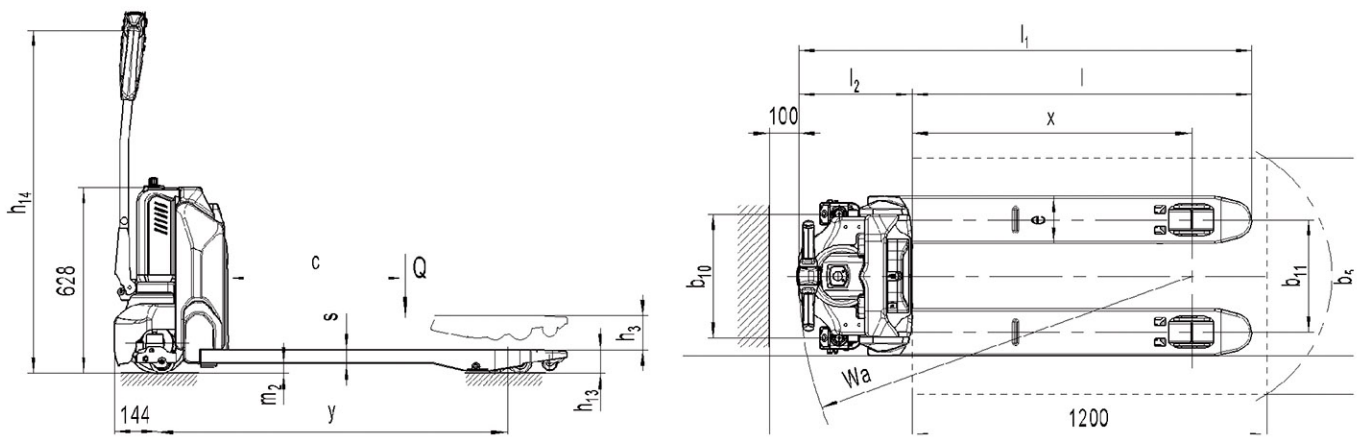
Maintenance Friendly

**NOBLELIFT**  
Material Handling

**EDGE**  
EDGE



**Powered Pallet Truck**



Type sheet for industrial truck acc. to VDI 2198

General Data				
1.2	Manufacturer's type designation		PT E15N	
1.3	Drive		Battery	
1.4	Operator type		Pedestrian	
1.5	Load Capacity / rated load	Q (t)	1.5	
1.6	Load centre distance	c (mm)	600	
1.8	Load distance ,centre of drive axle to fork	x (mm)	947	
1.9	Wheelbase	y (mm)	1185	
Weight				
2.1	Service weight	kg	123	126
2.2	Axle loading, laden front/rear	kg	500 / 1123	626 / 1000
2.3	Axle loading, unladen front/rear	kg	96 / 27	99 / 27
Tyres, chassis				
3.1	Tires		Polyurethane (PU)	
3.2	Tire size, front	x w (mm)	210×70	
3.3	Tire size, rear	x w (mm)	80×93( optional tandem:80×70)	
3.4	Additional wheels(dimensions)	x w (mm)	-/ 80×30	
3.5	Wheels, number front/rear(x=driven wheels)		1x/ 2(1x/ 4) or 1x +2/ 2(1x +2/ 4)	
3.6	Tread, front	b10 (mm)	-/420	
3.7	Tread, rear	b11 (mm)	380	525
Dimensions				
4.4	Lift	h3 (mm)	115	
4.9	Height of tiller in drive position min./ max.	h14 (mm)	700 / 1160	
4.15	Height, lowered	h13 (mm)	80	
4.19	Overall length	l1 (mm)	1530	
4.20	Length to face of forks	l2 (mm)	380	
4.21	Overall width	b1 (mm)	540	685
4.22	Fork dimensions	s/e/l (mm)	47 / 160 / 1150	
4.25	Distance between fork- arms	b5 (mm)	540	685
4.32	Ground clearance, centre of wheelbase	m2 (mm)	33	
4.34	Aisle width for pallets800X1200 lengthways (200mm safe distance)	Ast (mm)	2000	
4.35	Turning radius	Wa (mm)	1330	
Performance Data				
5.1	Travel speed, laden/ unladen	km/h	4.6/ 4.8	
5.2	Lift speed, laden/ unladen	m/s	0.020 / 0.025	
5.3	Lowering speed, laden/ unladen	m/s	0.05 / 0.04	
5.8	Max. gradeability, laden/ unladen	%	4 / 16	
5.10	Service brake		Electromagnetic	
Electric- engine				
6.1	Drive motor rating S2 60min	kW	0.65	
6.2	Lift motor rating at S3 10%	kW	0.50	
6.3	Battery acc. to DIN 43531/ 35/ 36 A, B, C, no		No	
6.4	Battery voltage, nominal capacity K5	V / Ah	24V / 20(optional: 24V / 30 , 24V / 36)	
6.5	Battery weight	kg	4.6	
6.6	Energy consumption acc. to VDI cycle	kWh/h	0.18	
Addition Data				
8.1	Type of drive control		DC speed Control	
8.4	Sound level at driver's ear acc. to EN 12053	dB(A)	<70	